

# 790 SERIES



40" Class LED	HG40NA790MF
46" Class LED	HG46NA790MF
55" Class LED	HG55NA790MF

## Samsung SMART TV Interactive LED Edge-lit for Hospitality TVs

with REACH, Samsung Lynk™ Technology, H-Browser, Pro:Idiom™ Technology and Samsung CMS (Content Management System)

### Industry-leading Design and Performance Highlights:

- LED - Edge-lit, 30-40% Energy Savings\*, Ultra Slim Design
- HD Content Decryption: Samsung Lynk™ and Pro:Idiom™
- Smart TV, Widget Apps, IPTV-enabled, H-Browser and Samsung CMS
- Full HD 1080P, MPEG4
- REACH Compliant: Customize Guest Room Marketing
- Swivel (20/60/90) w/ lock down
- Hotel Commercial Television Features: Volume Limiters, Front Panel Lock-out, Menu Display Lock-out, Hotel Custom Logo/Welcome Message, Channel List Guide, Channel Re-mapping, Remote Jack Pack (RJP) Priority, USB Cloning and Anti-Theft Battery Cover Remote Control



### VIDEO PERFORMANCE

- Resolution: FHD 1920x1080 (40", 46", 55")
- Brightness: 320cd/m2 (40", 46"), 380cd/m2 (55")
- Response Time: 8ms (40", 46", 55")
- Viewing Angle (H/V): 178/178 (40", 46", 55")
- Static Contrast Ratio: 5,000:1 (40", 46", 55")
- MPEG2/MPEG4 H.264 Decoding
- DTV Reception: ATSC / Clear QAM
- Analog Tuner: Yes

### FEATURES

- Hotel Mode Plug & Play
- USB Cloning
- Channel Remapping (Free-to-guest)
- Hotel TV (RJ12/IR Pass Through)
- Hotel Logo Display with Time Out Setting
- REACH
- Auto Volume Limiter
- Power On Status Setting (Master)
- Anti-Theft Battery Cover
- Auto Channel Search
- ConnectShare™ (USB 2.0)
- Music Mode (Input: PC/AV/Component)
- Music Mode Backlight On/Off
- Multi-code Remote
- Sleep Timer
- Closed Captioning
- OSD Language: English, French, Spanish
- Edge-lit
- Picture-in-Picture
- Anynet+ (HDMI-CEC)
- Hotel Channel List
- Clock On Timer, Alarm Key
- Smoovie Compatibility
- Soundbar Compatibility
- Energy Saving Mode (BLU control)
- AllShare™
- WiFi®

### ACCESSORIES

- Remote Control TM1050
- Batteries for Remote Control
- Power Cable
- RJ 12 Data Cable
- Stand Mount Kit
- Security Screws (Stand Base)
- Installation Manual (Quick Guide)

### REMOTE JACK PANEL COMPATIBILITY (RJP)

Guest Link, Teleadapt  

### INTERACTIVE COMPATIBILITY SYSTEM:

Samsung Lynk™, LodgeNet, Enseo, N-Streams, Guest-Tek, Seachange, NXSystems, IBahn, Tangerine, VRN, Allin, SuiteLinq



Pro:Idiom™



40" Class LED  
46" Class LED  
55" Class LED

HG40NA790MF  
HG46NA790MF  
HG55NA790MF

# 790 SERIES

## FEATURES

**Hotel Mode Plug & Play:** Interactive Stand Alone

**USB Cloning:** A quick and easy way to copy the ideal settings of television to others on the property. Saves time and helps provide a consistent viewing experience for all televisions.

**Hotel Channel List:** Guest master channel listing of program content. This will display content in analog or HD.

**Hotel TV (RJ-12/IR Pass Through):** Connecting Interactive STB/SBD (Set Top/Back Box)

**Hotel Logo Display with Time Out Setting:** Display hotel logo bitmap files as a greeting startup display

**Remote Enhanced Active Control for Hotels (REACH/Management Solution):** Used with coaxial-based solution designed to provide centralized TV controls, basic static content management capabilities and Interactive Program Guide (IPG). The Hotel Guest, in a (free-to-guest) hotel can experience picture and content such as: hotel information, local and in-room dining, spa, meeting and events, local attractions and other simple guest convenience features. Property management will be able to update and change information on an easy Windows-based system.

**Auto Volume Limiter:** During initial product setup, minimum and maximum volume levels can be locked to help minimize disturbance to other hotel guests.

**Power On Status Setting:** Power always on, last option or standby

**Anti-Theft Battery Cover:** Battery door is secured helping to always keep batteries in the remote controller.

**Auto Channel Search:** Auto detect channel while in hotel mode

**ConnectShare™ (USB 2.0):** Connect a thumb drive or digital camera quickly and easily. User-friendly interface allows access to videos, a music playlist and pictures via the remote.

**Music Mode (Input: HDMI/PC/AV/Component):** When picture is muted, allows audio feedback

**Music Mode Backlight On/Off:** Background Display

**Multi-code Remote:** Eliminates interference when two or more TVs are used in close proximity

**Sleep Timer:** Set TV turn-off time in 30-minute intervals up to 180 minutes

**Closed Captioning:** A text display of all audio content including spoken dialog and non-speech information such as the identity of the speakers and symbols for sound effects and music

**OSD Language:** English/French/Spanish

**Picture-in-Picture:** Display one program while another is being displayed on the full TV screen at the same time.

**Clock On Timer and Alarm Key:** This allows the guest to program the TV to turn on as a wake-up alarm.

**Anynet + (HDMI – CEC):** Samsung protocol that allows the user to control other HDMI devices connected to the TV display. Examples of these devices are DVD and Soundbars.

**Soundbar Compatible:** Samsung Hospitality Displays enable Soundbar compatibility by supporting HDMI-CEC. By connecting the Soundbar to the Samsung Hospitality Display with a HDMI cable, the TV audio settings and menu lock feature are automatically applied, so you don't have to set up the Soundbar separately and you can also prevent guests from changing the settings. With one single remote, guests can control both the TV and Soundbar simultaneously. The Samsung wall-mountable Soundbar allows you to offer your guests a full 3D surround sound experience through one easy-to-install device that fits into the most prestigious environment and adds a touch of elegance to your rooms.

**Swivel Stand with Optional Stops:** Samsung Hospitality Displays pedestal stand rotates 90 degrees in both directions with optional 20-, 60- and 90-degree stops so wherever in the room your guests are they should have an excellent view of their TV. Swivel stand includes integrated mounting plate and bolt down kit (4 bolts, 2 nuts, 2 washers).

**Energy Saving Mode (BLU Control):** Samsung's range of energy-efficient LED TVs is setting the standard when it comes to saving energy and reducing costs. Samsung Hospitality Displays are a cost-effective business solution due to their energy-efficient features and ability to decrease maintenance and management oversight.

Our Hospitality Displays offer a number of energy-efficient advantages that are designed to lower power usage and your overall energy bill. This means a 55" Samsung LED TV consumes the same amount of energy as a conventional 32" LCD TV. What's more, LED TVs from Samsung are durable, offering a long lifetime without loss of picture quality. Samsung Displays are also built with less harmful materials, so that the manufacturing and recycling processes are much more efficient and friendlier to the environment.

**Samsung Lynk™:** Samsung's software-based DRM technology is integrated into the entire Samsung 2012 Hotel TV line. Samsung Lynk offers highly reliable access to unlock premium HDTV content from content providers such as cable, satellite and VOD providers. Samsung's advanced Lynk DRM helps eliminate tampering HD premium content without disruptive service to the hotel guest.

**H-Browser:** True IPTV-enabled solution, utilizing embedded IP functionality, designed to interface directly with a VOD solutions head end (on premise or off). Both Free-to-guest and VOD content delivered via IP cabling to Samsung's H-Browser-powered TVs.

**Pro:Idiom™:** Pro:Idiom is a registered trademark of the Zenith Corporation. May be used as an alternative DRM solution on some models.

**AllShare™:** Enjoy your favorite digital content from any of your DLNA- connected Samsung Devices. AllShare Play lets you wirelessly access and share content between your Samsung devices regardless of where you are. And there's no need for any cables or connected devices. It's also equipped with Cloud technology, so you can upload your favorite content to a central web storage account and access it wherever you are.

**WiFi®:** With built-in WiFi, no additional equipment is needed to connect with an existing wireless router in your hotel network and start accessing Samsung Apps or other Smart TV features.

**Samsung CMS (Content Management Solution):** IP-based solution designed to provide enhanced HTML and rich text, dynamic content management capabilities. Incorporated use of Samsung Hospitality Widget Library (Facebook, Twitter, AccuWeather, Google Maps). Targeted for the hotelier with IP-enabled infrastructure and Samsung's Interactive TVs.

The Samsung Hospitality Displays Smart Widget Solution provides you with the ability to deliver customized content to your guests via the TV screen providing improved customer satisfaction and increased repeat business.



SAMSUNG

40" Class LED  
46" Class LED  
55" Class LED

HG40NA790MF  
HG46NA790MF  
HG55NA790MF

# 790 SERIES

MODEL NAME	RESOLUTION	WEIGHT (W/ STAND)	WEIGHT (W/O STAND)	DIMENSIONS (W/ STAND)	DIMENSIONS (W/O STAND)	PACKAGE DIMENSIONS	ORDER CODE	UPC CODE
HG40NA790MF	Slim	29.0 lbs	22.7 lbs	36.49" x 23.94" x 8.96"	36.46" x 21.79" x 1.85"	44.25" x 25.43" x 5.0"	HG40NA790MFZA	036725237889
HG46NA790MF	Slim	34.8 lbs	28.4 lbs	41.82" x 26.95" x 8.96"	41.82" x 24.80" x 1.85"	50" x 20.09" x 5.51"	HG46NA790MFZA	036725237896
HG55NA790MF	Slim	42 lbs	35.6 lbs	49.32" x 31.15" x 8.96"	49.32" x 29" x 1.85"	58.46" x 32.99" x 6.29"	HG55NA790MFZA	036725237902

## CONNECTIONS

**HDMI®:** 1 (side), 2 (rear)  
**USB:** 1 (side), 1 (rear)  
**RF Input (Terrestrial/Cable Input):** 1 (rear)  
**Component (Y/Pb/Pr):** 1 (rear)  
**Composite (AV):** 1 (rear) Common use for Component Y  
**PC D-sub:** 1 (rear)  
**PC Audio Jack:** 1 (rear)  
**Audio Out (Line Out) Monitor:** 1 (rear)  
**Optical Sound Out:** 1 (rear)  
**RJ-12 w/ IR Pass for External Control:** 1 (rear)  
**RS232C (AV Control):** 1 (rear)

## AUDIO

**Dolby® Digital Plus / Dolby Pulse**  
**SRS TheaterSound®:** Get crisp, clear digital quality sound via advanced SRS technology  
**dts 2.0 + Digital Out**  
**Speaker Type:** Down Firing + Full Range  
**Audio Power:** 10W x 2

## SPECIFICATIONS

**4 Energy Saving Modes**  
**Power Supply:** AC 110 ~ 120V ~ 60Hz  
**TV System:** ATSC / Clear QAM Cable  
**VESA Wall Mount Pattern:** 200x200mm (40"), 400x400mm (46", 55")  
**Screw Size:** M8 (40", 46", 55")  
**Multi-voltage:** AC110~220V watts  
**Power Consumption (Rated):** 108W (40"), 118W (46"), 135W (55")  
**Power Consumption (Stand-by):** under 0.5W  
**Power Consumption (Typical):** 50W (40", 46"), 53W (55")  
**Energy Saving Mode Power Consumption:**  
 High: 32W, Medium: 36W, Low: 40W (40")  
 High: 33W, Medium: 37W, Low: 41W (46")  
 High: 33W, Medium: 37W, Low: 42W (55")  
**Energy Star 5.3**

## WARRANTY

2-year parts and 2-year labor warranty backed by Samsung Hospitality Hotline 1-866-894-0524. Optional professional installation, accessories and extended warranty are available.



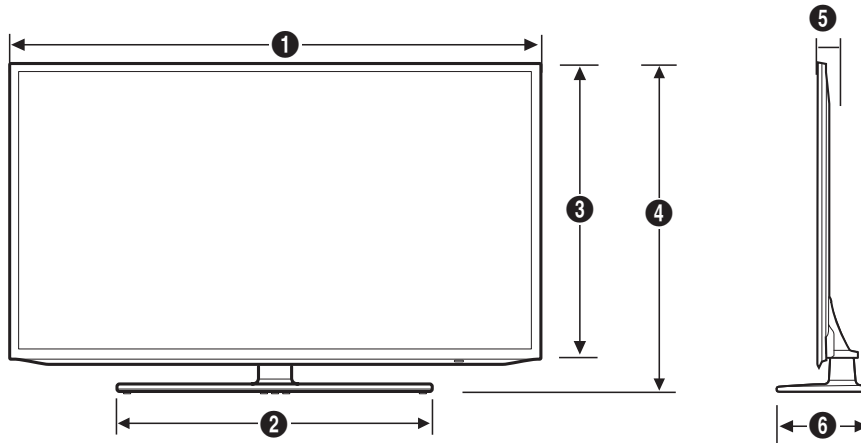
40" Class LED  
46" Class LED  
55" Class LED

HG40NA790MF  
HG46NA790MF  
HG55NA790MF

# 790 SERIES

## DIMENSIONS - 40", 46" & 55"

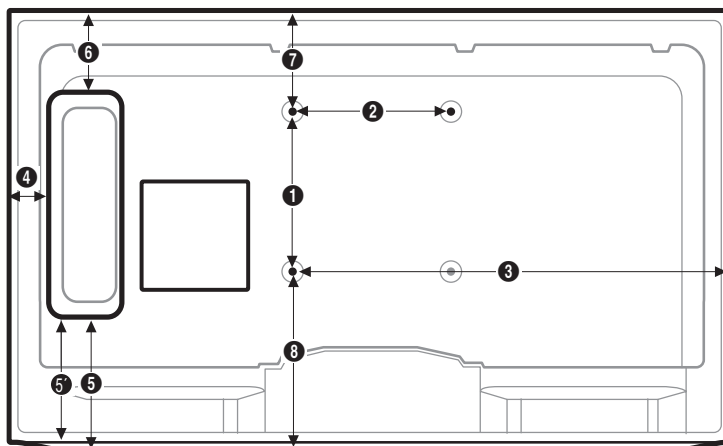
HG40NA790 / HG46NA790 / HG55NA790 Front view / Side view



(Unit: inches)

	1	2	3	4	5	6
HG40NA790	36.4	21.6	21.7	23.9	1.8	9.0
HG46NA790	41.8	24.7	24.7	26.9	1.8	9.0
HG55NA790	49.3	24.7	29	31.1	1.8	9.0

HG40NA790 / HG46NA790 / HG55NA790 Jack Panel detail / Rear view



	1	2	3	4	5 (5)	6	7	8
HG40NA790	7.8	7.8	22.1	2.0	6.5 (6.0)	4.1	5.1	8.8
HG46NA790	15.7	15.7	28.7	1.8	8.0 (7.5)	5.6	3.8	5.2
HG55NA790	15.7	15.7	32.5	2.7	8.4 (8.0)	9.4	7.4	5.8



(800) 709-8731

[www.directvideotv.com](http://www.directvideotv.com)  
[sales@directvideotv.com](mailto:sales@directvideotv.com)