



32-inch Class 720p Hospitality LCD HDTV

TH-32LRU50

TENTATIVE

Product specification (design and specification subject to change without notice)

DISPLAY PANEL

Screen Size (Diagonal)	31.5 -inch
Aspect ratio	16:9
Panel	IPS (WXGA)
Effective Display Area (W x H)	27.5" x 15.4" (698 x 392 mm)
Number of pixels (H x V)	1,366 x 768 pixel
Brightness (Panel)	450 cd/m ²
Contrast Ratio	18,000 :1
Viewing Angle	178 degrees
Response Time	7 ms (G to G)
Life Time	approx. 60,000 hours
Intelligent Scene Controller	Yes

RECEIVING SYSTEM

ATSC / NTSC (Digital / Analog)	VHF/ UHF: 2 - 69, CATV: 1 - 135
FTG HD Support	EBL (embedded b-LAN)

VIDEO

VIDEO CODEC	MPEG4/H.264
-------------	-------------

CONNECTION TERMINAL

RF IN (Antenna/Cable)	1
VIDEO IN	RCA x 1 (rear), RCA x 1 (side)
AUDIO IN (L/R)	RCA (L/R) x 1 set (rear), x 1 set (side)
COMPONENT IN	RCA x 3 (rear)
AUDIO IN (L/R)	RCA x 1 set (rear)
HDMI IN	HDMI TYPE A connector x 2 (rear), x 1 (side)
PC IN	MINI D-sub 15pin x1 (Female)
AUDIO IN (L/R)	M3 jack x 1 (rear)
AUDIO OUT (Digital / SPDIF)	SPDIF x 1 (rear)
AUDIO OUT (Analog)	M3 jack x 1 (rear)
SD Card slot	1

CONTROL TERMINAL

DATA / MTI	RJ11C (6pin) x 1 (Compatible with LodgeNet game controller)
SERIAL Port	M3 jack x 1 (rear), RS232C

ELECTRICAL

Power Requirements	110-127 V AC, 60Hz (AC Power Cable 90.6" (2.3m))
Power Consumption	115W
Stand-by condition	0.9W

AUDIO

Audio Output Power	10W + 10W (10%THD)
Invisible Speaker System Details	1 way 2 bottom Speaker
Sound System Type	AV Surround
Bass/Treble/Barance controls	Yes

DIMENSIONS & WEIGHT

TV with Stand (W x H x D)	31.5" x 21.8" x 10.8" (798 x 553 x 272 mm)
TV without Stand (W x H x D)	31.5" x 20.2" x 3.3" (798 x 511 x 83 mm)
Carton Dimensions (W x H x D)	40.6" x 23.7" x 7.6" (1,030 x 602 x 193 mm)
TV with Stand Weight	approx. 27.6 lbs. (12.5 kg)
TV without Stand Weight	approx. 21.0 lbs. (9.5 kg)
Gross weight	approx. 35.3 lbs. (16.0 kg)
Cabinet Color	Black (Texture)

ENVIRONMENTAL

Operating environment	Temperature	: 32° F to 95° F (0 °C to 35 °C)
	Humidity	: 20% to 80% (Non condensation)
Storage environment	Temperature	: -4° F to 140° F (-20°C to 60 °C)
	Humidity	: 20% to 90% (Non condensation)

MAIN FEATURE

CEC Control	Yes
Quick Boot	Yes
Integrated Pro:Idiom	Yes
Local Aucentication	Yes
Welcome message	Yes
SD Card Slot	Image Viewer (JPEG playback) Cloning
OFF Timer	15/30/60/90
Hotel Mode	Initial INPUT INPUT Lock Initial VOL level Maximum VOL level Button Lock Remote Control User Level

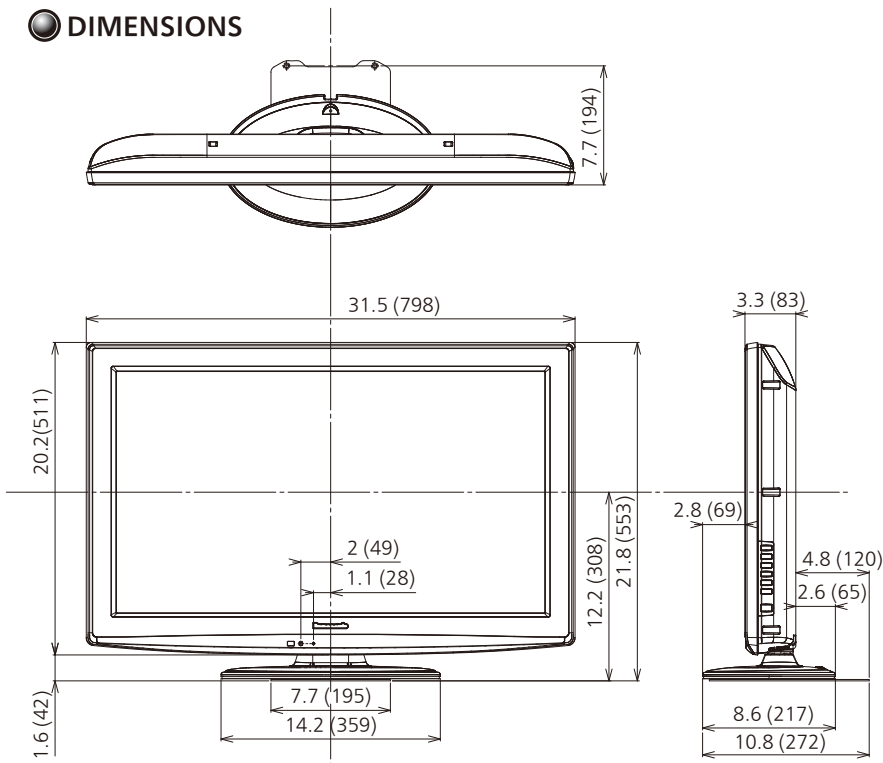
ACCESSORIES

INCLUDED ACCESSORIES	Swivel Stand (degrees:30°/60°/90°) Remote control transmitter Batteries for the Remote Control Transmitter (AA Battery x 2) Operating Instruction
Security Bit	Non

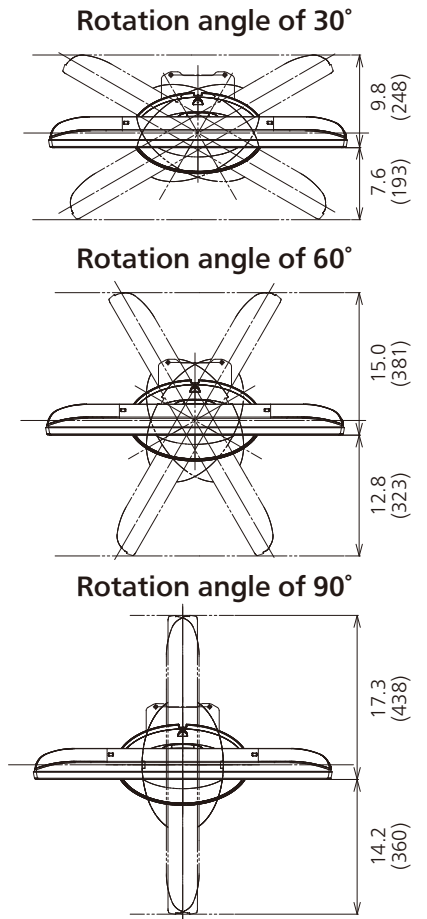
STANDARD (CERTIFICATIONS)

SAFETY REGULATIONS	UL6500 Ver.2, cUL, BETS-7
RADIATION REGULATIONS	FCC Part 15 Class-B, ICES-003, ISTA
ENERGY STAR 5.3, CEC	Yes
Wall hanging	VESA compliant W 7.9" x H 7.9" (W 200 x H 200mm)
UPC Code	T.B.D

DIMENSIONS

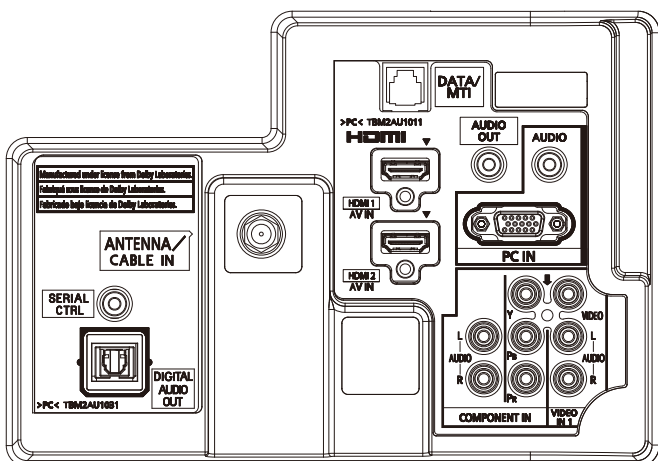


Cautions: This drawing is not a scale
Units : inches (mm)

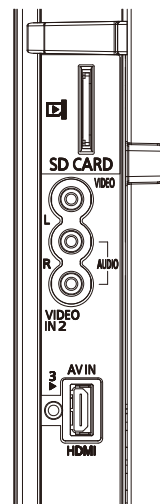


CONNECTION TERMINAL

<rear>



<side>



(800) 709-8731

www.directvideotv.com
sales@directvideotv.com