



37-inch Class 1080p Hospitality LCD HDTV

## TH-37LRU50 TENTATIVE

### ● Product specification (design and specification subject to change without notice)

#### ■ DISPLAY PANEL

Screen Size (Diagonal)	37.0 -inch
Aspect ratio	16:9
Panel	IPS 1080p (WSXGA)
Effective Display Area (W x H)	32.2" x 28.1" (819 x 460 mm)
Number of pixels (H x V)	1,920 x 1,080 pixel
Brightness (Panel)	400 cd/m <sup>2</sup>
Contrast Ratio	18,000 :1
Viewing Angle	178 degrees
Response Time	7 ms (G to G)
Life Time	approx. 60,000 hours
Intelligent Scene Controller	Yes

#### ■ RECEIVING SYSTEM

ATSC / NTSC (Digital / Analog)	VHF/ UHF: 2 - 69, CATV: 1 - 135
FTG HD Support	EBL (embedded b-LAN)

#### ■ VIDEO

VIDEO CODEC	MPEG4/H.264
-------------	-------------

#### ■ CONNECTION TERMINAL

RF IN (Antenna/Cable)	1	
VIDEO IN	RCA x 1 (rear), RCA x 1 (side)	1.0 V [p-p] (75Ω)
AUDIO IN (L/R)	RCA (L/R) x 1 set (rear), x 1 set (side)	0.5 V [rms]
COMPONENT IN	RCA x 3 (rear)	Y : with sync 1.0 V [p-p] (75Ω) Pb, Pr : ±0.35 V [p-p] (75Ω)
AUDIO IN (L/R)	RCA x 1 set (rear)	0.5 V [rms]
HDMI IN	HDMI TYPE A connector x 2 (rear), x 1 (side)	
PC IN	MINI D-sub 15pin x1 (Female) Plug & Play (VESA DDC 2B)	R, G, B : 0.7 V [p-p] (75Ω) HD/VD : 1.0 - 5.0 V [p-p] (high impedance)
AUDIO IN (L/R)	M3 jack x 1 (rear)	0.5 V [rms]
AUDIO OUT (Digital / SPDIF)	SPDIF x 1 (rear)	
AUDIO OUT (Analog)	M3 jack x 1 (rear)	0.5 V [rms]
SD Card slot	1	

#### ■ CONTROL TERMINAL

DATA / MTI	RJ11C (6pin) x 1 (Compatible with LodgeNet game controller)
SERIAL Port	M3 jack x 1 (rear), RS232C

#### ■ ELECTRICAL

Power Requirements	110-127 V AC, 60Hz (AC Power Cable 90.6" (2.3m))
Power Consumption	165W
Stand-by condition	0.9W

#### ■ AUDIO

Audio Output Power	10W + 10W (10%THD)
Invisible Speaker System Details	1 way 2 bottom Speaker
Sound System Type	AV Surround
Bass/Treble/Barance controls	Yes

#### ■ DIMENSIONS & WEIGHT

TV with Stand (W x H x D)	36.1" x 24.5" x 12.1" (915 x 622 x 307 mm)
TV without Stand (W x H x D)	36.1" x 22.8" x 3.5" (915 x 577 x 87 mm)
Carton Dimensions (W x H x D)	48.3" x 26.1" x 7.5" (1,255 x 662 x 190 mm)
TV with Stand Weight	approx. 36.9 lbs. (16.7 kg)
TV without Stand Weight	approx. 28.7 lbs. (13.0 kg)
Gross weight	approx. 46.3 lbs. (21.0 kg)
Cabinet Color	Black (Texture)

#### ■ ENVIRONMENTAL

Operating environment	Temperature	: 32°F to 95°F (0°C to 35°C)
	Humidity	: 20% to 80% (Non condensation)
Storage environment	Temperature	: -4°F to 140°F (-20°C to 60°C)
	Humidity	: 20% to 90% (Non condensation)

**MAIN FEATURE**

CEC Control	Yes
Quick Boot	Yes
Integrated Pro:Idiom	Yes
Local Authentication	Yes
Welcome message	Yes
SD Card Slot	Image Viewer (JPEG playback) Cloning
OFF Timer	15/30/60/90
Hotel Mode	Initial INPUT INPUT Lock Initial VOL level Maximum VOL level Button Lock Remote Control User Level

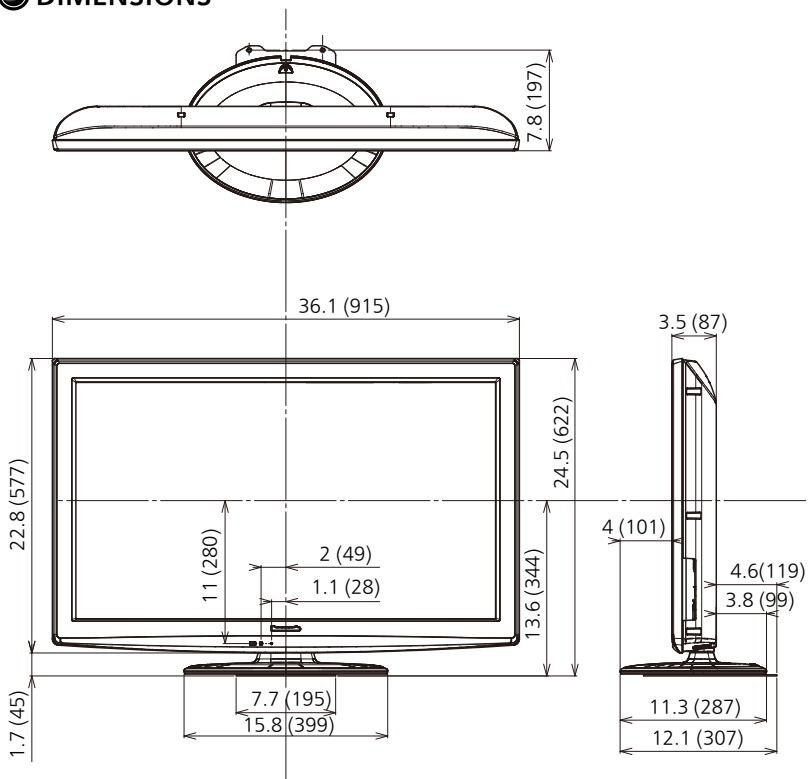
**ACCESSORIES**

INCLUDED ACCESSORIES	Swivel Stand (degrees:30°/60°/90°) Remote control transmitter Batteries for the Remote Control Transmitter (AA Battery x 2) Operating Instruction
Security Bit	Non

**STANDARD (CERTIFICATIONS)**

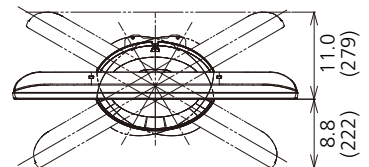
SAFETY REGULATIONS	UL6500 Ver.2, cUL, BETS-7
RADIATION REGULATIONS	FCC Part 15 Class-B, ICES-003, ISTA
ENERGY STAR 5.3, CEC	Yes
Wall hanging	VESA compliant W 7.9" x H 7.9" (W 200 x H 200mm)
UPC Code	T.B.D

**DIMENSIONS**

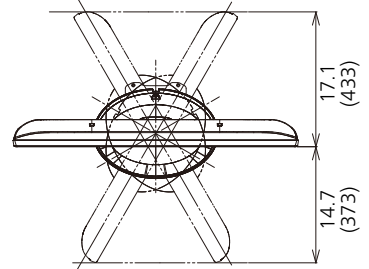


Cautions: This drawing is not a scale  
Units : inches (mm)

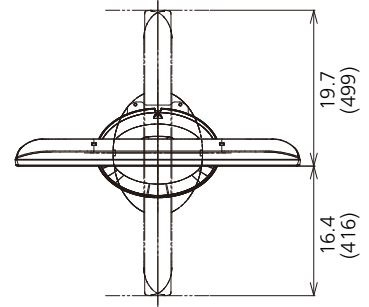
**Rotation angle of 30°**



**Rotation angle of 60°**

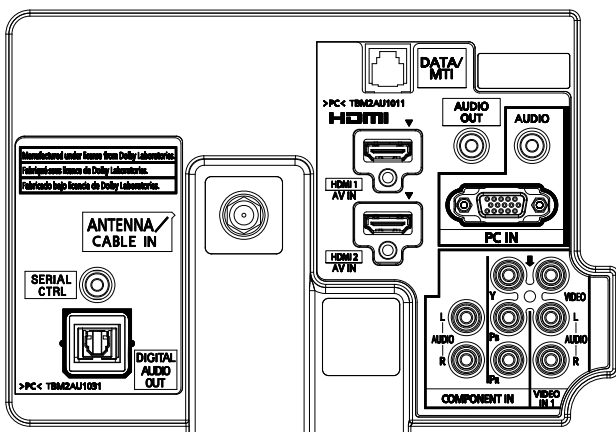


**Rotation angle of 90°**

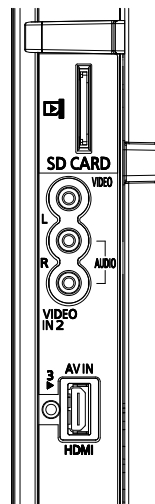


**CONNECTION TERMINAL**

<rear>



<side>



**(800) 709-8731**

[www.directvideotv.com](http://www.directvideotv.com)  
[sales@directvideotv.com](mailto:sales@directvideotv.com)