

Samsung 690 Series Hospitality TVs

Samsung Smart TV 2.0 delivers the ultimate in guest entertainment.

32" Class LED	HG32NB690PFXZA
40" Class LED	HG40NB690QFXZA
46" Class LED	HG46NB690QFXZA
55" Class LED	HG55NB690QFXZA

Premium Slim Direct-Lit LED LCD TVs for a Multi-Dimensional In-Room Experience

Whether it's a casual vacationer or a seasoned business traveler, today's guests demand a premium in-room entertainment experience. The Samsung 690 Series delivers it. Each display is a Smart TV, giving guests a whole new level of interactivity. With Smart TV, guests can watch movies and TV shows from streaming services, instantly check Facebook, Twitter and Skype to stay connected, and even push content from their personal devices to the big screen. The 690 Series features direct-lit LED technology, for all the benefits of LED, yet at a lower cost. It's premium entertainment without the premium. **Business. Innovated.**



Premium Slim Direct-Lit LED Technology

Direct-lit LED technology provides the brilliance and energy savings advantages of LED technology, along with the uniform brightness typical of CCFL displays. And it does it all with an efficiency that makes it a more affordable technology. In fact, it's possible to upgrade your rooms to LED technology for a cost comparable to CCFL technology.



Smart TV 2.0

Experience the next generation of our ground-breaking TVs with Smart Interaction, full web browsers, all-new content, all-new content services, faster processors and much more.



Samsung LYNK™ SINC Interactive Content Management System

This IP-based content management solution delivers enhanced HTML and rich text with protocols to communicate between Samsung Interactive TVs and hotel property management software. Facility managers can completely customize the in-room entertainment by unlocking rich content from the Samsung Hospitality Widget Library (Facebook, Twitter, AccuWeather, Google Maps™).



Samsung LYNK REACH 2.0 Content Management Solution

The Samsung REACH 2.0 (Remote Enhanced Active Control for Hotels) Management Solution is used in conjunction with an existing coaxial-based infrastructure. It provides centralized TV controls, basic static content management capabilities and an Interactive Program Guide (IPG). Property management will be able to easily update and change information using a Windows®-based system.



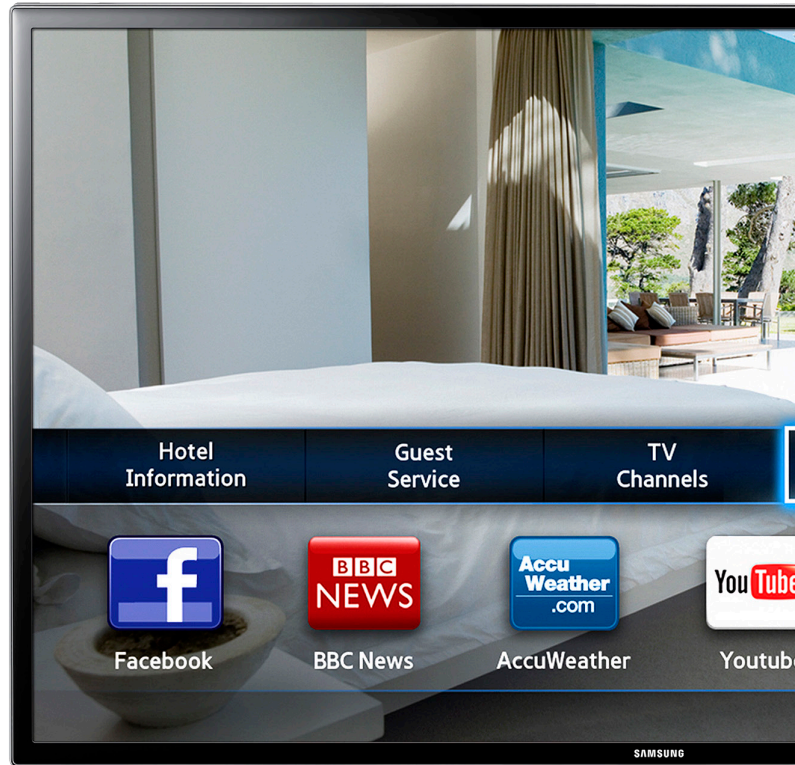
H-Browser Compatibility

The Samsung 690 Series offers H-Browser through partnerships with certified system integrators providing guests with a premium interactive experience. Built on the HTML5 standard with Flash® support, H-Browser is a true Smart TV solution that features both free and video on demand (VOD) content. It is able to interface directly with the head end without the use of a set top box.



Mobile Device Integration AllShare™ Cast

Samsung AllShare™ Cast lets you seamlessly share content across your DLNA connected Samsung devices which includes WIDI without the need for a network cable or a connecting device. AllShare Cast allows screen mirroring and video streaming to enable seamless content sharing.



Samsung 690 Series Hospitality TVs

Samsung Hospitality TVs are loaded with features that provide premier guest satisfaction, while making your job easier.

HOSPITALITY FEATURES

Anti-Theft Battery Cover

Battery door is secured, ensuring batteries remain in the remote controller.

Channel Remapping

Allows the hotelier to change channel and TV source to a different channel.

Clock On Timer and Alarm Key

Allows the guest to program the TV to turn on as a wake-up alarm.

Closed Captioning

A text display of all audio content, including spoken dialog and non-speech information such as the identity of the speakers and symbols for sound effects and music.

Hotel Channel List

Guest master channel listing of program content. This will display content in analog or HD.

Hotel Logo Display with Time Out Setting

Display hotel logo bitmap files as a greeting startup display.

Hotel Mode Plug & Play

Interactive stand-alone mode available.

Lockout Controls

The hotelier can enable front panel and menu display lock-outs.

OSD Language

Choose English/French/Spanish.

Picture-in-Picture

Display one program while another is being displayed on the full TV screen at the same time.

Power On Status Setting

Settings include power always on, last option or standby.

Multi-Code Remote

Eliminates interference when two or more TVs are used in close proximity to each other.

Samsung LYNK™ SINC Interactive Content Management System

IP-based solution designed to provide enhanced HTML and rich text, dynamic content management capabilities. Incorporated use of Samsung Hospitality Widget Library (Facebook, Twitter, AccuWeather, Google Maps). Targeted for the hotelier with IP-enabled infrastructure and Samsung's Interactive TVs. The Samsung Hospitality Displays Smart Widget Solution provides you with the ability to deliver customized content to your guests via the TV screen providing a high degree of customer satisfaction.

Samsung LYNK REACH 2.0 Content Management Solution

The Samsung LYNK™ REACH 2.0 (Remote Enhanced Active Control for Hotels) Management Solution is used in conjunction with an existing coaxial-based infrastructure. It provides centralized TV controls, basic static content management capabilities and an Interactive Program Guide (IPG). Samsung REACH delivers, in a free-to-guest solution, content and information on such topics as your hotel, local and in-room dining, spa and exercise facilities, meetings and events, local attractions, and other simple guest convenience features. Property managers will be able to easily update and change information using a Windows®-based system.

Sleep Timer

Allows guest to set TV turn-off time in 30-minute intervals up to 180 minutes.

USB Cloning

A quick and easy way to copy the ideal settings off one television to others on the property. Saves time and helps provide a consistent viewing experience for all televisions.

CONNECTIONS

AllShare™ Cast

Enjoy your favorite digital content from any of your DLNA - connected Samsung Devices. AllShare™ Cast lets you wirelessly access and share content between your Samsung devices regardless of where you are. And there's no need for any cables or connected devices. It's also equipped with cloud technology, so you can upload your favorite content to a central web storage account and access it wherever you are.

AnyNet + (HDMI – CEC)

This Samsung protocol allows the user to control other HDMI devices connected to the TV display, such as DVD players, PC computers and Soundbars.

ConnectShare™ (USB 2.0)

Connect a thumb drive or digital camera quickly and easily. User-friendly interface allows access to videos, a music playlist and pictures via the remote.

Hotel TV (RJ-12/IR Pass Through)

Allows you to connect an interactive STB/SBB (Set Top Box/Set Back Box).

Hotel TV RJ45

Connection to hotel LAN using custom H-browser or Samsung LYNK SINC.

Interactive Compatibility System

Allin, Enseo®, Guest-Tek, iBAHN®, InnVue, KoolConnect, nStreams, NxSystems™, Pro:Idiom™, RoomLinx®, SeaChange®, SuiteLinq™, Swisscom, Tangerine®, uievolution®, VRN



Remote Jack Panel (RJP) Compatibility

G-Link™, TeleAdapt, GLINK, teleadapt

WiFi®

With built-in WiFi, no additional equipment is needed to connect with an existing wireless router in your hotel network and start accessing Samsung Apps or other Smart TV features.

PICTURE QUALITY AND AUDIO

Auto Volume Limiter

During initial product setup, minimum and maximum volume levels can be locked to help minimize disturbance to other hotel guests.

Dual Core Processor

Dual Core makes multitasking fast. Browse the web faster and quickly. Hotel personnel can easily download apps to the TV.

Full HD 1080p, MPEG4

Samsung 32", 40", 46" and 55" 690 Series TVs feature Full HD. All TVs also are compatible with MPEG4.

Music Mode (Input: HDMI/PC/AV/Component)

Allows audio feedback when picture is muted.

Music Mode Backlight On/Off

Shows a background display.

Premium Slim Direct-Lit LED Technology

Direct-lit LED technology provides the brilliance and energy savings advantages of LED technology, along with the uniform brightness typical of CCFL displays. And it does it all with an efficiency that makes it a more affordable technology. In fact, it's possible to upgrade your rooms to LED technology for a cost comparable to CCFL technology. When you add the energy savings of up to 50% that LED offers over CCFL, you end up with the perfect solution for both you and your guests.

Soundbar Compatible

Samsung Hospitality Displays enable Soundbar compatibility by supporting HDMI-CEC. When you connect the Soundbar to the Samsung Hospitality Display with an HDMI cable, the TV audio settings and menu lock feature are automatically applied, so you don't have to set up the Soundbar separately. You can also prevent guests from changing the settings. With one single remote, guests can control both the TV and Soundbar simultaneously.

Swivel (20/60/90) w/ Lockdown

Display pedestal stand rotates with optional 20, 60 and 90 degree stops—only on 32", 40", 46" and 55" models integrated in lockdown mount base.

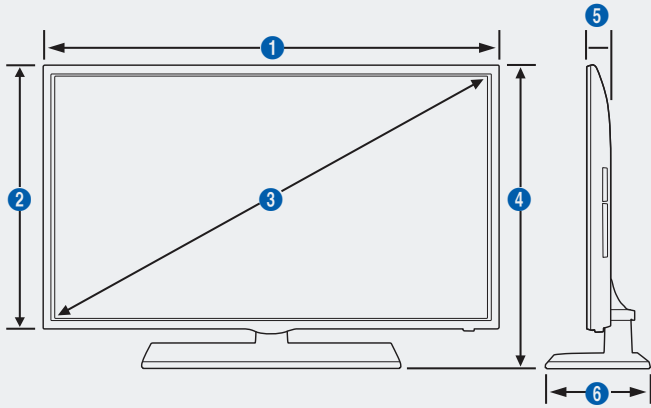
WARRANTY

2-year parts and 2-year labor warranty backed by Samsung Hospitality Hotline 1-866-894-0524. Optional professional installation, accessories and extended warranty are available.

Samsung 690 Series Hospitality TVs



Dimensions



32" | HG32NB690PFXZA - 768p | 3000:1 Contrast Ratio

1	2	3	4	5	6
29.28"	17.39"	32"	19.86"	1.95"	7.54"

40" | HG40NB690QFXZA - 768p | 5000:1 Contrast Ratio

1	2	3	4	5	6
36.54"	21.41"	40"	24.09"	1.95"	8.96"

46" | HG46NB690QFXZA - 1080p | 5000:1 Contrast Ratio

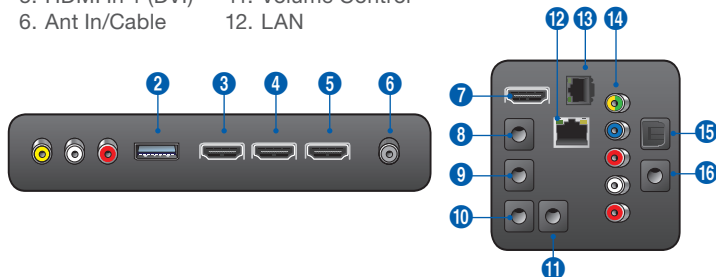
1	2	3	4	5	6
41.72"	24.3"	46"	27.0"	1.95"	8.96"

55" | HG55NB690QFXZA - 1080p | 5000:1 Contrast Ratio

1	2	3	4	5	6
49.22"	28.52"	55"	31.22"	1.95"	8.96"

Connectivity

- | | | |
|--------------------|------------------------|-------------------------|
| 1. AV In 2 | 7. HDMI In 4 (ARC) | 13. RJ-12 Data |
| 2. USB/Cloning | 8. DVI In Audio | 14. Component / AV In 1 |
| 3. HDMI In 3 | 9. Audio Out | 15. Digital Audio Out |
| 4. HDMI In 2 | 10. Variable Audio Out | 16. EX-Link (RS232) |
| 5. HDMI In 1 (DVI) | 11. Volume Control | |
| 6. Ant In/Cable | 12. LAN | |



DIGITAL RIGHTS MANAGEMENT (DRM)

Pro:Idiom™ DRM

The 690 Series is equipped with Pro:Idiom™ MPEG4 technology, making the TVs compatible with most major VOD/PPV systems. You can offer your guests premium HDTV content from cable, satellite or video-on-demand services with no optional cards or external box needed. **Pro:Idiom**

Samsung LYNK™ HD Content Decryption DRM

Samsung's software-based DRM technology is integrated into the entire Samsung 2013 Hotel TV line. Samsung LYNK™ offers a robust solution to unlock premium HDTV content from content providers such as cable, satellite and VOD providers, with maximum efficiency and security.

Verimatrix™ DRM

IPTV-IP Multicast DRM USED in conjunction with Samsung LYNK SINC. In viewing IPTV channel reliable access to unlock premium HDTV content from content providers such as cable and satellite providers.



SAMSUNG 690 SERIES HOSPITALITY TVs KEY SPECIFICATIONS For complete product specifications, visit samsung.com/hospitality

	Model Number	HG32NB690PFXZA	HG40NB690QFXZA	HG46NB690QFXZA	HG55NB690QFXZA	
Display	Backlight	LED - Direct - Lit	LED - Direct - Lit	LED - Direct - Lit	LED - Direct - Lit	
	Screen Size (Diagonal)	32"	40"	46"	55"	
	HD / FHD	FHD (1920 x 1080)	FHD (1920 x 1080)	FHD (1920 x 1080)	FHD (1920 x 1080)	
Connectivity	Picture Engine	HyperReal Engine	3D HyperReal Engine	3D HyperReal Engine	3D HyperReal Engine	
	Static Contrast Ratio	5000:1	5000:1	5000:1	5000:1	
	Response Time	8.0ms	6.0ms	6.0ms	6.0ms	
	Viewing Angle (H/V)	178° / 178°	178° / 178°	178° / 178°	178° / 178°	
	Brightness	350 nits	350 nits	350 nits	350 nits	
	Micro Dimming	No	Micro Dimming	Micro Dimming	Micro Dimming	
	Wide Color Enhancer Plus	Yes	Yes	Yes	Yes	
	Auto Motion Plus 120/240Hz	120Hz	120Hz	120Hz	120Hz	
Film Mode	Yes	Yes	Yes	Yes		
Audio	Dolby®	Dolby® Digital Plus / Dolby® Pulse	Dolby® Digital Plus / Dolby® Pulse	Dolby® Digital Plus / Dolby® Pulse	Dolby® Digital Plus / Dolby® Pulse	
	SRS / DnSE+	SRS TheaterSound HD™	SRS TheaterSound HD™	SRS TheaterSound HD™	SRS TheaterSound HD™	
	DTS 2.0 + Digital Out™	DTS Premium Audio	DTS Premium Audio	DTS Premium Audio	DTS Premium Audio	
	Speaker Type	Down Firing + Full Range	Down Firing + Full Range	Down Firing + Full Range	Down Firing + Full Range	
	Sound Output (RMS)	10W x 2	10W x 2	10W x 2	10W x 2	
Variable Speaker Output	4W (Mono, 8)	4W (Mono, 8)	4W (Mono, 8)	4W (Mono, 8)		
Features	Smart Hub	Yes	Yes	Yes	Yes	
	Apps	Yes	Yes	Yes	Yes	
	Photos, Clip & Music	Yes	Yes	Yes	Yes	
	Samsung SMART View	Yes (Clone View only)	Yes (Clone View only)	Yes (Clone View only)	Yes (Clone View only)	
	Web Browser	Yes	Yes	Yes	Yes	
	Hand Gesture Recognition	Ready	Ready	Ready	Ready	
	Samsung TV Apps supported	Yes	Yes	Yes	Yes	
	Smart Phone Remote Support	Yes	Yes	Yes	Yes	
	AllShare™ Play (Powered by DLNA)	Yes	Yes	Yes	Yes	
	AllShare™ Cast (Screen Mirroring)	Yes	Yes	Yes	Yes	
	ConnectShare™ (USB 2.0)	Movie	Movie	Movie	Movie	
	Soft AP	Yes	Yes	Yes	Yes	
	Wireless LAN Built-in	Yes	Yes	Yes	Yes	
	BT HID Built-in	Yes	Yes	Yes	Yes	
	USB HID Support	Yes	Yes	Yes	Yes	
	Sound Share	Yes	Yes	Yes	Yes	
	OSD Language	English, Spanish, French	English, Spanish, French	English, Spanish, French	English, Spanish, French	
	Digital Noise Filter	Yes	Yes	Yes	Yes	
	HDMI 1.4 A / Return Ch. Support	Yes	Yes	Yes	Yes	
	AnyNet+ (HDMI-CEC)	Yes	Yes	Yes	Yes	
	BD Wise Plus	Yes	Yes	Yes	Yes	
	Auto Channel Search	Yes	Yes	Yes	Yes	
	Auto Power Off	Yes	Yes	Yes	Yes	
	Auto Volume Leveler	Yes	Yes	Yes	Yes	
	Caption (Subtitle)	Yes	Yes	Yes	Yes	
	Wake-up Timer	Yes	Yes	Yes	Yes	
	Game Mode	Yes	Yes	Yes	Yes	
	Picture-In-Picture	Yes	Yes	Yes	Yes	
	Sleep Timer	Yes	Yes	Yes	Yes	
	Hospitality Features	Samsung LYNK™ DRM	Yes	Yes	Yes	Yes
Pro:Idiom™ DRM		Yes	Yes	Yes	Yes	
Hospitality Plug & Play (Easy Set-up)		Yes	Yes	Yes	Yes	
Music Mode (Input: PC/AV/Component)		Yes	Yes	Yes	Yes	
Music Mode BackLight on/off		Yes	Yes	Yes	Yes	
RJ12 / IR Pass Through		Yes	Yes	Yes	Yes	
Power on Status Setting		Yes	Yes	Yes	Yes	
Jack Pack Compatibility (HD Media Hub)		Yes	Yes	Yes	Yes	
USB Cloning		Yes	Yes	Yes	Yes	
Bathroom Speaker Output		Yes	Yes	Yes	Yes	
Hotel Channel List		Yes	Yes	Yes	Yes	
Hotel Logo Display with Time out Setting (BMP)		Yes	Yes	Yes	Yes	
Hotel Logo Display (Movie file)		Yes	Yes	Yes	Yes	
Welcome Message		Yes	Yes	Yes	Yes	
Auto Source Mode		Yes	Yes	Yes	Yes	
Energy Saving Mode (BLU control)		Yes	Yes	Yes	Yes	
Multi Code Remote Control		Yes	Yes	Yes	Yes	
Screwed Remote Battery Cover		Yes	Yes	Yes	Yes	
Alarm Key		Yes	Yes	Yes	Yes	
Samsung LYNK™ SINC Compatibility		Yes	Yes	Yes	Yes	
H-Browser Compatibility		Yes	Yes	Yes	Yes	
Smovie Compatibility		Yes	Yes	Yes	Yes	
Samsung LYNK™ REACH Server Compatibility		Yes	Yes	Yes	Yes	
Sound Bar Compatibility		Yes	Yes	Yes	Yes	
Input & Output		HDMI (Side/Rear)	3/1	3/1	3/1	3/1
		USB (Side/Rear)	1/0	1/0	1/0	1/0
		Component In (Y/Pb/Pr) (Side/Rear)	0/1	0/1	0/1	0/1
	Composite In (AV) (Side/Rear)	1/1 (Common Use for Component Y)	1/1 (Common Use for Component Y)	1/1 (Common Use for Component Y)	1/1 (Common Use for Component Y)	
	Ethernet (LAN) (Side/Rear)	0/1	0/1	0/1	0/1	
	Digital Audio Out (Optical) (Side/Rear)	0/1	0/1	0/1	0/1	
	Audio Out (Mini Jack) (Side/Rear)	0/1	0/1	0/1	0/1	
	DVI Audio In (Mini Jack) (Side/Rear)	0/1	0/1	0/1	0/1	
	RF In (Terrestrial/Cable input) (Side/Rear)	1/0	1/0	1/0	1/0	
	RS232C (AV CONTROL) (Side/Rear)	1 (Common Use for RJP)	1 (Common Use for RJP)	1 (Common Use for RJP)	1 (Common Use for RJP)	
	Variable Audio Out	Yes	Yes	Yes	Yes	
	VOL_CTRL	Yes	Yes	Yes	Yes	
	RJ12	Yes	Yes	Yes	Yes	
	RJ45	Yes	Yes	Yes	Yes	
	RJP (For Remote Jackpack)	Yes	Yes	Yes	Yes	
System	DTV Tuner	ATSC / Clear QAM	ATSC / Clear QAM	ATSC / Clear QAM	ATSC / Clear QAM	
	Analog Tuner	Yes	Yes	Yes	Yes	
Design	Front Color	Black	Black	Black	Black	
	Stand Type	Square	Square	Square	Square	
	Swivel (Left/Right)	20° / 60° / 90°	20° / 60° / 90°	20° / 60° / 90°	20° / 60° / 90°	

SAMSUNG 690 SERIES HOSPITALITY TVs KEY SPECIFICATIONS (CONT.) For complete product specifications, visit samsung.com/hospitality

	Model Number	HG32NB690PFXZA	HG40NB690QFXZA	HG46NB690QFXZA	HG55NB690QFXZA
Dimensions (W x H x D)	Set Size with Stand (mm) / (Inches)	743.8 x 504.5 x 191.7 / 29.28" x 19.86" x 7.54"	928.2 x 612.0 x 227.7 / 36.54" x 24.09" x 8.96"	1059.8 x 686.2 x 227.7 / 41.72" x 27" x 8.96"	1250.4 x 793.0 x 227.7 / 49.22" x 31.22" x 8.96"
	Set Size without Stand (mm) / (Inches)	743.8 x 441.7 x 49.5 / 29.28" x 17.39" x 1.95"	928.2 x 543.8 x 49.6 / 36.54" x 21.41" x 1.95"	1059.8 x 617.7 x 49.6 / 41.72" x 24.3" x 1.95"	1250.4 x 724.6 x 48.8 / 49.22" x 28.52" x 1.95"
Carton Dimensions	(H x W x L) (mm) / (Inches)	919.0 x 143.0 x 514.0 / 36.2" x 5.6" x 20.2"	1125.0 x 152.0 x 616.0 / 44.3" x 6.0" x 24.3"	1277.0 x 171.0 x 588.0 / 50.3" x 6.7" x 23.1"	1520.4 x 170.0 x 598.0 / 59.8" x 6.7" x 23.1"
Weight	Set Weight with Stand (kg / lbs)	7.2 / 15.87	12.2 / 26.9	14.7 / 32.4	20.1 / 44.3
	Set Weight without Stand (kg / lbs)	5.6 / 12	9.3 / 20.5	11.8 / 26	17.2 / 37.9
Packaging Weight	Gross Weight (kg / lbs)	9 / 19.8	14.7 / 32.4	18.4 / 40.6	23.6 x 52
VESA Mounting	Dimensions (mm)	200 x 200	200 x 200	400 x 400	400 x 400
	Screw Size	M8	M8	M8	M8
Power	Power Supply	AC110-120V 60Hz	AC110-120V 50/60Hz	AC110-120V 50/60Hz	AC110-120V 50/60Hz
	Multi Voltage	AC110-220V	AC110-220V	AC110-220V	AC110-220V
	Power Consumption (Rated) (Watts)	93W	138W	140W	166W
	Power Consumption (Standby) (Watts)	Under 0.5W	Under 0.5W	Under 0.5W	Under 0.5W
	Power Consumption (Typical) (Watts)	41W	52W	54W	62W
UPC		8806085688674	8806085688681	8806085688698	887276025612
Eco	Eco Mark	ENERGY STAR® 6.0	ENERGY STAR® 6.0	ENERGY STAR® 6.0	ENERGY STAR® 6.0
	Eco Sensor	Yes	Yes	Yes	Yes
Accessory	Remote Controller Model	TM1240	TM1240	TM1240	TM1240
	Battery (for Remote Control)	Yes	Yes	Yes	Yes
	Mini Wall Mount Support	Yes	Yes	Yes	Yes
	Vesa Wall Mount Support	Yes	Yes	Yes	Yes
	Power Cable	Yes	Yes	Yes	Yes
	Quick Install Guide	Yes	Yes	Yes	Yes
	Data Cable	Yes	Yes	Yes	Yes
	Security Screws	Yes	Yes	Yes	Yes
	Stand Mount Kit	Yes	Yes	Yes	Yes



(800) 709-8731

www.directvideotv.com

sales@directvideotv.com