



## Samsung 670 Series Hospitality TVs

A premium LED experience from the LED industry leader.

28" Class LED	HG28NB670BFXZA
32" Class LED	HG32NB670BFXZA
40" Class LED	HG40NB670FFXZA
46" Class LED	HG46NB670FFXZA

### Slim and Affordable Direct-Lit LED LCD TVs

The leading LED panel manufacturer in the world allows you to deliver a premium experience to your guests, while still being budget-conscious. The Samsung 670 Series Hospitality TVs feature direct-lit LED technology, to deliver all the benefits of LED, while doing it more affordably. You get big, bright, beautiful pictures, while cost of entry is similar to that of a traditional CCFL back-lit option. LED uses up to 50% less energy, helping you conserve and save money. Content management is made simple too, with the Samsung REACH 2.0 management solution. Samsung's LYNK™ DRM technology protects content, while offering guests a seamless viewing experience. **Business. Innovated.**



#### Slim Direct-Lit LED Technology

Direct-lit LED technology provides the brilliance and energy savings advantages of LED technology, along with the uniform brightness typical of CCFL displays. And it does it all with an efficiency that makes it a more affordable technology. In fact, it's possible to upgrade your rooms to LED technology for a cost comparable to CCFL technology.



#### Samsung LYNK™ REACH 2.0 Content Management Solution

The Samsung REACH 2.0 (Remote Enhanced Active Control for Hotels) Management Solution is used in conjunction with an existing coaxial-based infrastructure. It provides centralized TV controls, basic static content management capabilities and an Interactive Program Guide (IPG). Property management will be able to easily update and change information using a Windows-based system.



#### Samsung LYNK HD Content Decryption DRM

Samsung's software-based DRM technology is integrated into the entire Samsung 2013 Hotel TV line. Samsung LYNK offers a robust solution to unlock premium HDTV content from content providers such as cable, satellite and VOD providers, with maximum efficiency and security.



#### A Host of Features

Features include: Volume Limiters, Front Panel Lock-out, Menu Display Lock-out, Hotel Custom Logo/Welcome Message, Channel List Guide, Channel Re-mapping, Remote Jack Pack (RJP) Priority, USB Cloning and Anti-Theft Battery Cover Remote Control. Display pedestal stand rotates 90° in both directions with optional 20, 60 and 90 degree stops—only on 32", 40" and 46" models integrated in lockdown mount base.



# Samsung 670 Series Hospitality TVs

Samsung Hospitality TVs are loaded with features that provide premier guest satisfaction, while making your job easier.

## HOSPITALITY FEATURES

### Anti-Theft Battery Cover

Battery door is secured, ensuring batteries remain in the remote controller.

### Channel Remapping

Allows the hotelier to change channel and TV source to a different channel.

### Clock On Timer and Alarm Key

Allows the guest to program the TV to turn on as a wake-up alarm.

### Closed Captioning

A text display of all audio content, including spoken dialog and non-speech information such as the identity of the speakers and symbols for sound effects and music.

### Hotel Channel List

Guest master channel listing of program content. This will display content in analog or HD.

### Hotel Logo Display with Time Out Setting

Display hotel logo bitmap files as a greeting startup display.

### Hotel Mode Plug & Play

Interactive stand-alone mode available.

### Lockout Controls

The hotelier can enable front panel and menu display lock-outs.

### OSD Language

Choose English/French/Spanish.

### Picture-in-Picture

Display one program while another is being displayed on the full TV screen at the same time.

### Power On Status Setting

Settings include power always on, last option or standby.

### Multi-Code Remote

Eliminates interference when two or more TVs are used in close proximity to each other.

### Samsung LYNK REACH 2.0 Content Management Solution

The Samsung LYNK™ REACH 2.0 (Remote Enhanced Active Control for Hotels) Management Solution is used in conjunction with an existing coaxial-based infrastructure. It provides centralized TV controls, basic static content management capabilities and an Interactive Program Guide (IPG). Samsung REACH delivers, in a free-to-guest solution, content and information on such topics as your hotel, local and in-room dining, spa and exercise facilities, meetings and events, local attractions, and other simple guest convenience features. Property managers will be able to easily update and change information using a Windows®-based system.

### Sleep Timer

Allows guest to set TV turn-off time in 30-minute intervals up to 180 minutes.

### USB Cloning

A quick and easy way to copy the ideal settings off one television to others on the property. Saves time and helps provide a consistent viewing experience for all televisions.

## CONNECTIONS

### AnyNet + (HDMI – CEC)

This Samsung protocol allows the user to control other HDMI devices connected to the TV display, such as DVD players, PC computers and Soundbars.

### ConnectShare™ (USB 2.0)

Connect a thumb drive or digital camera quickly and easily. User-friendly interface allows access to videos, a music playlist and pictures via the remote.

### Hotel TV (RJ-12/IR Pass Through)

Allows you to connect an interactive STB/SBB (Set Top Box/Set Back Box).

### Hotel TV RJ45

Connection to hotel LAN using custom H-browser or Samsung LYNK SYNC.

## Interactive Compatibility System

Allin, Enseo®, Guest-Tek, iBAHN®, InnVue, KoolConnect, nStreams, NxSystems™, RoomLinx®, SeaChange®, SuiteLinq™, Swisscom, Tangerine®, uievolution®, VRN



## Remote Jack Panel (RJP) Compatibility

G-Link™, TeleAdapt, G-LINK, teleadapt

## PICTURE QUALITY AND AUDIO

### Auto Volume Limiter

During initial product setup, minimum and maximum volume levels can be locked to help minimize disturbance to other hotel guests.

### Full HD 1080p, 720p, MPEG4

Samsung 40" and 46" 670 Series TVs feature Full HD, while the 28" and 32" models feature HD 720p. All TVs also are compatible with MPEG4.

### Music Mode (Input: HDMI/PC/AV/Component)

Allows audio feedback when picture is muted.

### Music Mode Backlight On/Off

Shows a background display.

### Slim Direct-Lit LED Technology

Direct-lit LED technology provides the brilliance and energy savings advantages of LED technology, along with the uniform brightness typical of CCFL displays. And it does it all with an efficiency that makes it a more affordable technology. In fact, it's possible to upgrade your rooms to LED technology for a cost comparable to CCFL technology. When you add the energy savings of up to 50% that LED offers over CCFL, you end up with the perfect solution for both you and your guests.

### Soundbar Compatible

Samsung Hospitality Displays enable Soundbar compatibility by supporting HDMI-CEC. When you connect the Soundbar to the Samsung Hospitality Display with an HDMI cable, the TV audio settings and menu lock feature are automatically applied, so you don't have to set up the Soundbar separately. You can also prevent guests from changing the settings. With one single remote, guests can control both the TV and Soundbar simultaneously.

### Swivel (20/60/90) w/ Lockdown (excludes 28")

Display pedestal stand rotates with optional 20, 60 and 90 degree stops—only on 32", 40" and 46" models integrated in lockdown mount base.

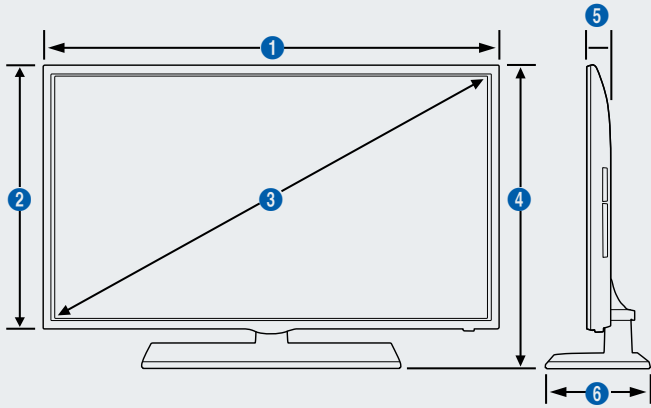
## WARRANTY

2-year parts and 2-year labor warranty backed by Samsung Hospitality Hotline 1-866-894-0524. Optional professional installation, accessories and extended warranty are available.

## Samsung 670 Series Hospitality TVs



### Dimensions



28" | HG28NB670BFXZA - 720p | 3000:1 Contrast Ratio

1	2	3	4	5	6
25.39"	15.15"	28"	17.5"	1.95"	7.11"

32" | HG32NB670BFXZA - 720p | 5000:1 Contrast Ratio

1	2	3	4	5	6
29.05"	17.15"	32"	19.88"	1.95"	7.55"

40" | HG40NB670FFXZA - 1080p | 5000:1 Contrast Ratio

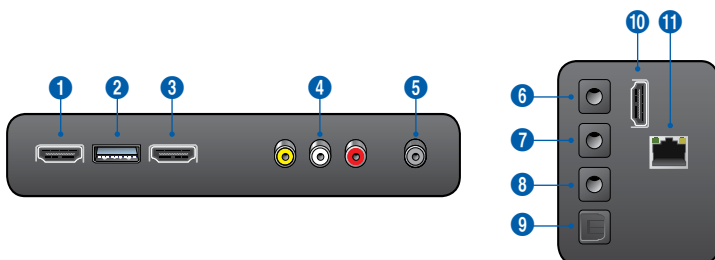
1	2	3	4	5	6
36.56"	21.74"	40"	19.88"	1.95"	8.96"

46" | HG46NB670FFXZA - 1080p | 5000:1 Contrast Ratio

1	2	3	4	5	6
41.70"	24.56"	46"	26.93"	1.95"	8.96"

### Connectivity

- |                    |                    |                      |
|--------------------|--------------------|----------------------|
| 1. HDMI In 2 (DVI) | 5. Ant In/Cable    | 9. Digital Audio Out |
| 2. USB             | 6. DVI In Audio    | 10. HDMI In 3 (ARC)  |
| 3. HDMI In 1       | 7. EX-Link (RS232) | 11. RJ-12 Data       |
| 4. AV In           | 8. Audio Out       |                      |



## DIGITAL RIGHTS MANAGEMENT (DRM)

### Samsung LYNK™ HD Content Decryption DRM

Samsung's software-based DRM technology is integrated into the entire Samsung 2013 Hotel TV line. Samsung LYNK™ offers a robust solution to unlock premium HDTV content from content providers such as cable, satellite and VOD providers, with maximum efficiency and security.



**SAMSUNG 670 SERIES HOSPITALITY TVs KEY SPECIFICATIONS** For complete product specifications, visit [samsung.com/hospitality](http://samsung.com/hospitality)

	Model Number	HG28NB670BFXZA	HG32NB670BFXZA	HG40NB670FFXZA	HG46NB670FFXZA
Display	Backlight	Direct-Lit LED	Direct-Lit LED	Direct-Lit LED	Direct-Lit LED
	Screen Size (Diagonal)	28"	32"	40"	46"
	HD (720P) / FHD (1080P)	HD (1366 x 768)	HD (1366 x 768)	FHD (1920 x 1080)	FHD (1920 x 1080)
Connectivity	Picture Engine	HyperReal Engine	HyperReal Engine	HyperReal Engine	HyperReal Engine
	Static Contrast Ratio	3000:1	5000:1	5000:1	5000:1
	Response Time	6.5ms	6.0ms	8.0ms	8.0ms
	Viewing Angle (H/V)	178° / 178°	178° / 178°	178° / 178°	178° / 178°
	Brightness	300 nits	300 nits	350 nits	300 nits
	Wide Color Enhancer Plus	Yes	Yes	Yes	Yes
Audio	Dolby®	Dolby® Digital Plus / Dolby® Pulse	Dolby® Digital Plus / Dolby® Pulse	Dolby® Digital Plus / Dolby® Pulse	Dolby® Digital Plus / Dolby® Pulse
	SRS / DnSe+	SRS TheaterSound™	SRS TheaterSound™	SRS TheaterSound™	SRS TheaterSound™
	DTS 2.0 + Digital Out™	Yes	Yes	Yes	Yes
	Speaker Type	Down Firing + Full Range	Down Firing + Full Range	Down Firing + Full Range	Down Firing + Full Range
Features	Sound Output (RMS)	5W x 2	10W x 2	10W x 2	10W x 2
	ConnectShare™ (USB 2.0)	Movie	Movie	Movie	Movie
	OSD Language	English, Spanish, French	English, Spanish, French	English, Spanish, French	English, Spanish, French
	Digital Noise Filter	Yes	Yes	Yes	Yes
	HDMI 1.4 A / Return Ch. Support	Yes	Yes	Yes	Yes
	AnyNet+ (HDMI-CEC)	Yes	Yes	Yes	Yes
	Auto Channel Search	Yes	Yes	Yes	Yes
	Auto Power Off	Yes	Yes	Yes	Yes
	Auto Volume Leveler	Yes	Yes	Yes	Yes
	Caption (Subtitle)	Yes	Yes	Yes	Yes
	Wake-up Timer	Yes	Yes	Yes	Yes
	Game Mode	Yes	Yes	Yes	Yes
	Picture-In-Picture	Yes	Yes	Yes	Yes
	Sleep Timer	Yes	Yes	Yes	Yes
	Samsung LYNK™ DRM	Yes	Yes	Yes	Yes
	Hospitality Plug & Play (Easy Set-up)	Yes	Yes	Yes	Yes
	Hospitality Features	Music Mode (Input:AV)	Yes (AV only)	Yes (AV only)	Yes (AV only)
Music Mode BackLight on/off		Yes	Yes	Yes	Yes
RJ-12 / IR Pass Through		Yes	Yes	Yes	Yes
Power on Status Setting		Yes	Yes	Yes	Yes
Jack Pack Compatibility (HD Media Hub)		Yes	Yes	Yes	Yes
USB Cloning		Yes	Yes	Yes	Yes
Hotel Channel List		Yes	Yes	Yes	Yes
Hotel Logo Display with Time Out Setting (BMP)		Yes	Yes	Yes	Yes
Hotel Logo Display (Movie file)		Yes	Yes	Yes	Yes
Welcome message		Yes	Yes	Yes	Yes
Auto Source Mode		Yes	Yes	Yes	Yes
Energy Saving Mode (BLU control)		Yes	Yes	Yes	Yes
Multi Code Remote Control		Yes	Yes	Yes	Yes
Screwed Remote Battery Cover		Yes	Yes	Yes	Yes
Alarm Key		Yes	Yes	Yes	Yes
Smovie Compatibility		Yes	Yes	Yes	Yes
Samsung LYNK™ REACH Server Compatibility		Yes	Yes	Yes	Yes
Sound Bar Compatibility	Yes	Yes	Yes	Yes	
Input & Output	HDMI (Side/Rear)	2/1	2/1	2/1	2/1
	USB (Side/Rear)	1/0	1/0	1/0	1/0
	Composite In (AV) (Side/Rear)	1/0	1/0	1/0	1/0
	Digital Audio Out (Optical) (Side/Rear)	0/1	0/1	0/1	0/1
	Audio Out (Mini Jack) (Side/Rear)	0/1	0/1	0/1	0/1
	DVI Audio In (Mini Jack) (Side/Rear)	0/1	0/1	0/1	0/1
	RF In (Terrestrial/Cable input) (Side/Rear)	0/1	1/0	1/0	1/0
	RS232C (AV Control) (Side/Rear)	1 (Common Use for RJP)	1 (Common Use for RJP)	1 (Common Use for RJP)	1 (Common Use for RJP)
	RJ12 / FR Pass Through	Yes	Yes	Yes	Yes
	RJP (For Remote Jackpack)	Yes	Yes	Yes	Yes
System	DTV Tuner	ATSC / Clear QAM	ATSC / Clear QAM	ATSC / Clear QAM	ATSC / Clear QAM
	Analog Tuner	Yes	Yes	Yes	Yes
Design	Front Color	Black	Black	Black Deco	Black Deco
	Stand Type	Square	Square	Square	Square
	Swivel (Left/Right)	No	20° / 60° / 90°	20° / 60° / 90°	20° / 60° / 90°
Dimensions (W x H x D)	Set Size with Stand (mm) / (Inches)	645.0 x 444.5 x 180.7 / 25.39" x 17.5" x 7.11"	737.9 x 504.9 x 191.7 / 29.05" x 19.88" x 7.55"	928.2 x 610.1 x 227.7 / 36.56" x 19.88" x 8.96"	1059.6 x 684.0 x 227.7 / 41.7" x 26.93" x 8.96"
	Set Size without Stand (mm) / (Inches)	645.0 x 384.9 x 49.5 / 25.39" x 15.15" x 1.95"	737.9 x 435.8 x 49.5 / 29.05" x 17.15" x 1.95"	928.2 x 552.3 x 49.4 / 36.56" x 21.74" x 1.95"	1059.6 x 626.2 x 49.4 / 41.71" x 24.56" x 1.95"
Carton Dimensions (H x W x L) (mm) / (Inches)	931.0 x 143.0 x 462.0 / 36.7" x 5.6" x 18.2"	919.0 x 143.0 x 514.0 / 36.2" x 5.6" x 20.2"	1125.0 x 152.0 x 616.0 / 44.3" x 6" x 24.3"	1277.0 x 176.0 x 158.0 / 50.3" x 28.2" x 6.2"	
Weight	Set Weight with Stand (kg / lbs)	4.9 / 10.8	6.7 / 14.77	10.9 / 24	13.7 / 30.2
	Set Weight without Stand (kg / lbs)	4.2 / 9.25	5.2 / 11.46	8 / 17.6	10.8 / 23.08
Packaging Weight	Gross weight (kg / lbs)	6.300 / 13.9	8.6 / 19	12.8 / 28.2	17.4 / 38.4
VESA Mounting	Dimensions (mm)	100 x 100	200 x 200	200 x 200	400 x 400
	Screw Size	M4	M8	M8	M8
Power	Power Supply	AC110-120V 50/60Hz	AC110-120V 50/60Hz	AC110-120V 50/60Hz	AC110-120V 50/60Hz
	Multi Voltage	AC110-220V	AC110-220V	AC110-220V	AC110-220V
	Power Consumption (Rated) (Watts)	50W	66W	116W	120W
	Power Consumption (Standby) (Watts)	Under 0.3W	Under 0.3W	Under 0.3W	Under 0.3W
	Power Consumption (Typical) (Watts)	26W	34W	46W	45W
UPC		8806085680548	8806085680555	8806085680562	8806085680586
Eco	Eco Mark	Energy Star v6.0	Energy Star v6.0	Energy Star v6.0	Energy Star v6.0
	Eco Sensor	No	No	Yes	Yes
Accessory	Remote Controller Model	TM1240	TM1240	TM1240	TM1240
	Battery (for Remote Control)	Yes	Yes	Yes	Yes
	Vesa Wall Mount Support	Yes	Yes	Yes	Yes
	AC Power Cable	Yes	Yes	Yes	Yes
	Quick Install Guide	Yes	Yes	Yes	Yes
	Data Cable	Yes	Yes	Yes	Yes
	Security Screws	Yes	Yes	Yes	Yes
	Stand Mount Kit	Yes	Yes	Yes	Yes



**(800) 709-8731**

**www.directvideotv.com**

**sales@directvideotv.com**

©2013 Samsung Electronics America, Inc. Samsung is a registered mark of Samsung Electronics Corp., Ltd. Specifications and designs are subject to change without notice. Non-metric weights and measurements are approximate. All other brand, product, service names and logos are trademarks and/or registered trademarks of their respective manufacturers and companies. Simulated screen images. See [samsung.com](http://samsung.com) for detailed information. Printed in USA. HOS-670SERIESB2BDSHT-MAY13T

